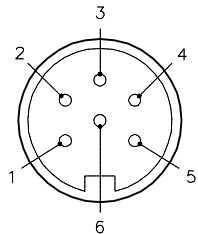
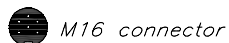


FEMALE PIN-OUT

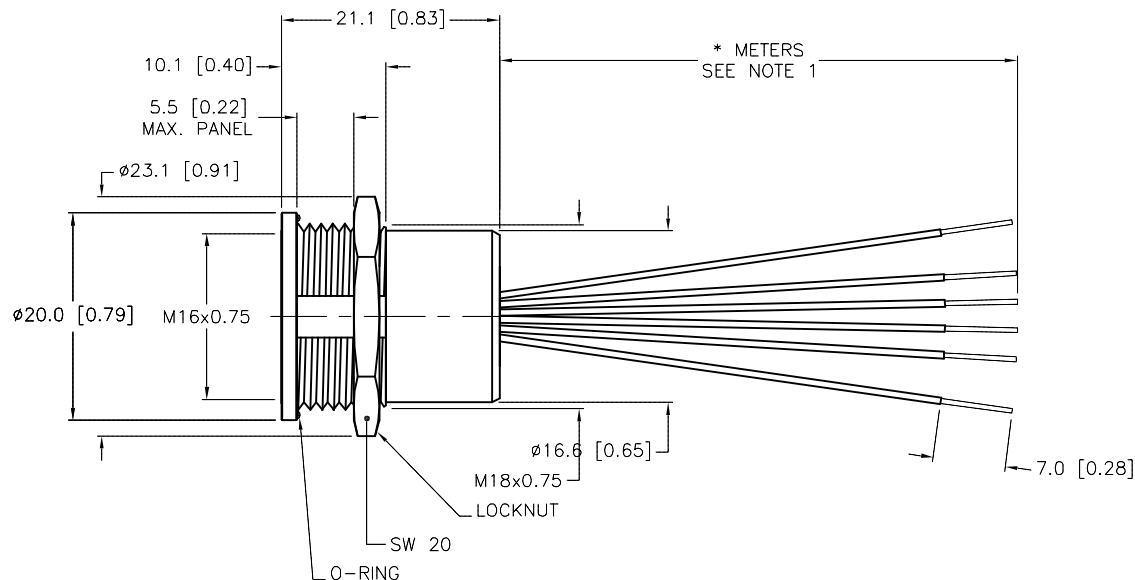


- 1=BROWN
- 2=WHITE
- 3=BLUE
- 4=BLACK
- 5=GREY
- 6=PINK



SPECIFICATIONS

CONTACT CARRIER MATERIAL	NYLON
CONTACT MATERIAL/PLATING	COPPER ALLOY/GOLD PLATED
HOUSING MATERIAL/PLATING	DIECAST ZINC/NICKEL PLATED
RATED CURRENT [A]	7.0 A
RATED VOLTAGE [V]	300 V AC/DC
NUMBER OF CONDUCTORS [AWG]	6x20 AWG
TEMPERATURE RANGE	-30°C to +80°C (-22°F to +176°F)
PROTECTION CLASS	MEETS IEC IP67



CABLE LENGTH	TOLERANCE *
ALL LENGTHS	+ 4% (OR 50mm) OF LENGTH - 0% (OR 0mm) OF LENGTH WHICHEVER IS GREATER
STRIP LENGTH	TOLERANCE *
0-7mm	±0.5mm
8-29mm	±1.0mm
30-49mm	±2.0mm
50-69mm	±3.0mm
70-100mm	±4.0mm
OVER 100mm	±5.0mm

* UNLESS OTHERWISE SPECIFIED

NOTES:

1. "*" INDICATES LEAD LENGTH IN METERS. CONTACT TURCK TO ORDER SPECIFIC LENGTHS.

SOURCE DRAWING - FOR REFERENCE ONLY

RELATED DOCUMENTS 1. 2. 3. 4.	3RD ANGLE PROJECTION 	THIS DRAWING IS CONFIDENTIAL AND THE PROPERTY OF TURCK INC. USE OF THIS DOCUMENT WITHOUT WRITTEN PERMISSION IS PROHIBITED.		3000 CAMPUS DRIVE MINNEAPOLIS, MN 55441 1-800-544-7769 (763) 553-7300 (763) 553-0708 fax www.turck.us	
	MATERIAL SEE SPECIFICATIONS	DRFT PLJ	DATE 04/12/04	DESCRIPTION BKF 6-6-*	
FINISH SEE SPECIFICATIONS	ALL DIMENSIONS DISPLAYED ON THIS DRAWING ARE FOR REFERENCE ONLY	APVD	SCALE 1=.7	IDENTIFICATION NO.	
		UNIT OF MEASUREMENT MILLIMETER [INCH]		REV B	
		DO NOT SCALE THIS DRAWING		FILE: 777002893	
				SHEET 1 OF 1	

B	UPDATE RATED VOLTAGE	RDS	06/19/08	21561
REV	DESCRIPTION	BY	DATE	ECO NO.